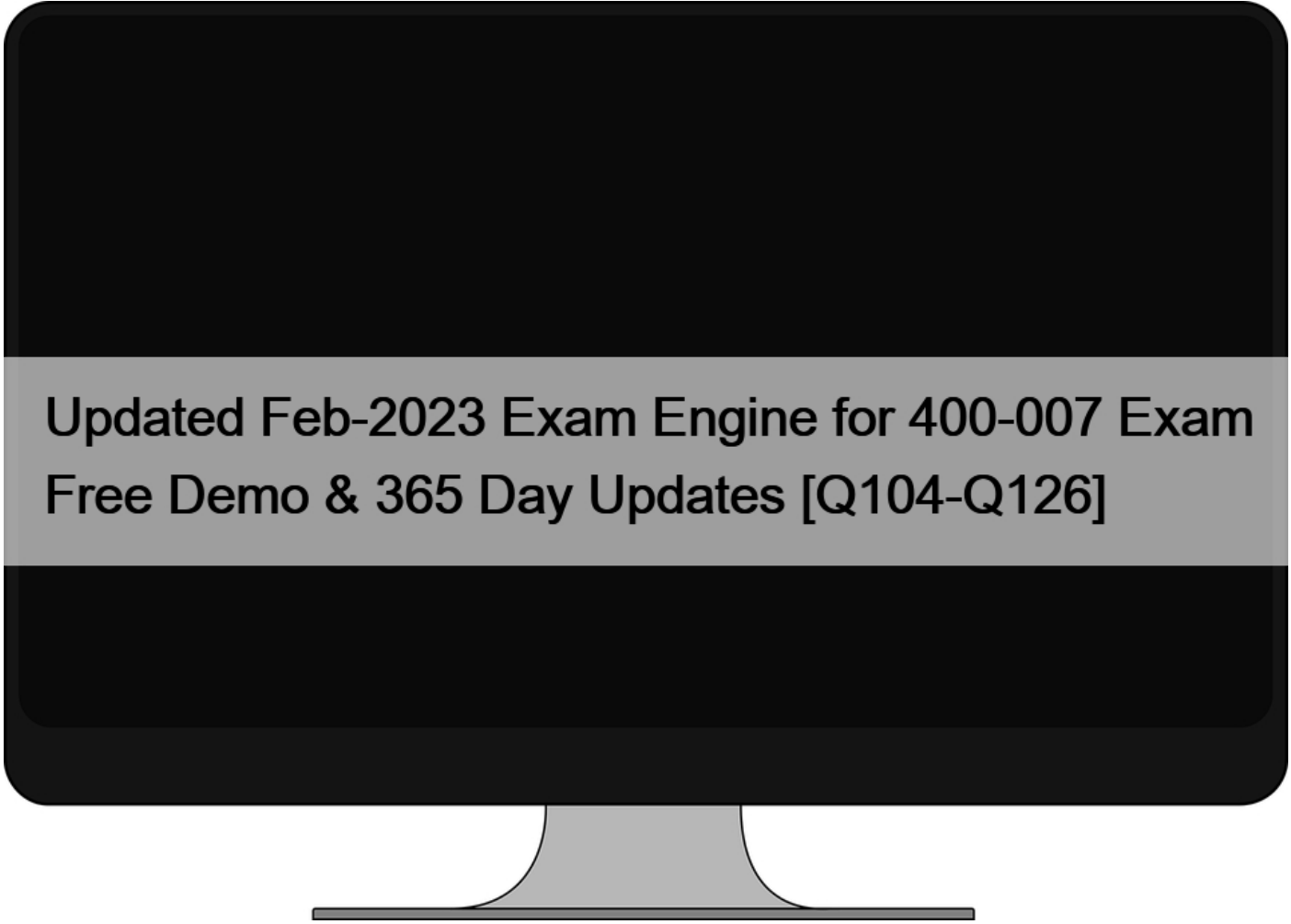


Updated Feb-2023 Exam Engine for 400-007 Exam Free Demo & 365 Day Updates [Q104-Q126]



Updated Feb-2023 Exam Engine for 400-007 Exam Free Demo & 365 Day Updates
Exam Passing Guarantee 400-007 Exam with Accurate Questions!

Conclusion

The Cisco 400-007 exam can be passed by trying different training resources that will help them be exposed to diverse scenarios and understand how the theoretical information can be applied in a business environment. While the vendor offers training videos or courses to help the candidates pass 400-007, the candidates shouldn't forget about the books and study guides available on Amazon.

Q104. Which two statements explain the operation of BFD asynchronous mode? (Choose two)

- * BFD asynchronous mode with echo packets combines the control packets and echo packets into a single packet.
- * BFD asynchronous mode without echo packets uses control packets, and BFD asynchronous mode with echo packets does not.
- * BFD asynchronous mode with and without echo packets use control packets.
- * BFD asynchronous without echo packets has control packets sent back to the originating router, which echoes the control packet to detect failures.

* BFD asynchronous mode with echo packets uses separate control packets and echo packets.

Q105. An enterprise wants to migrate an on-premises network to a cloud network, and the design team is finalizing the overall migration process. Drag and drop the options from the left into the correct order on the right.

Identify the right applications and portfolio for cloud migration and cloud viability.	step 1
Maintain data integrity and operational continuity.	step 2
Adopt end-to-end approach and transition workloads to the cloud environment.	step 3
Develop cloud strategy and ensure alignment with business requirements.	step 4
Secure the cloud by setting up a secure cloud environment based on the workload requirements.	step 5
Monitor and manage cloud-based systems, including customer services.	step 6
Identify the right applications and portfolio for cloud migration and cloud viability.	Develop cloud strategy and ensure alignment with business requirements.
Maintain data integrity and operational continuity.	Identify the right applications and portfolio for cloud migration and cloud viability.
Adopt end-to-end approach and transition workloads to the cloud environment.	Secure the cloud by setting up a secure cloud environment based on the workload requirements.
Develop cloud strategy and ensure alignment with business requirements.	Adopt end-to-end approach and transition workloads to the cloud environment.
Secure the cloud by setting up a secure cloud environment based on the workload requirements.	Monitor and manage cloud-based systems, including customer services.
Monitor and manage cloud-based systems, including customer services.	Maintain data integrity and operational continuity.

Q106. While reviewing an existing network design, you are discussing the characteristics of different STP versions. Which protocol minimizes unicast flooding during a Topology Change Notification in a Layer 2 switched network with many VLANs?

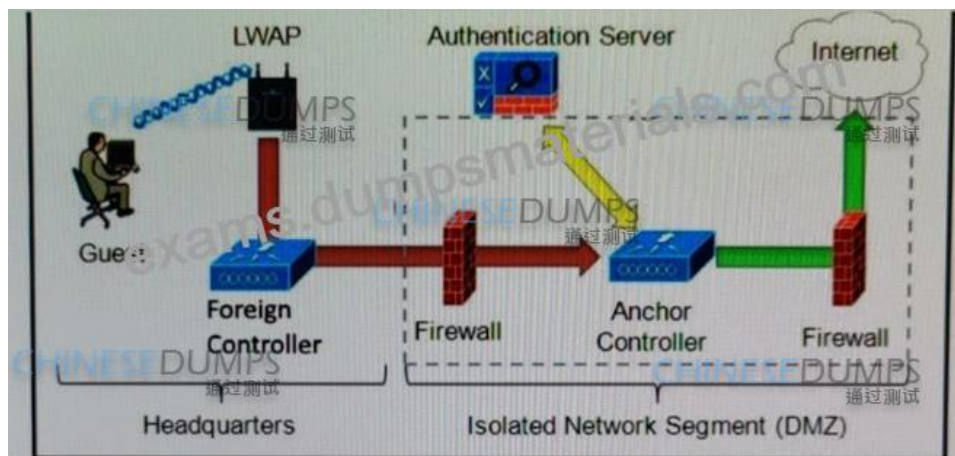
* PVRSTP

- * MST
- * STP
- * PVSTP+

Q107. When an SDN-based model is used to transmit multimedia traffic, which aspect should an architect consider while designing the network?

- * QoE estimation
- * security
- * traffic patterns
- * flow forwarding

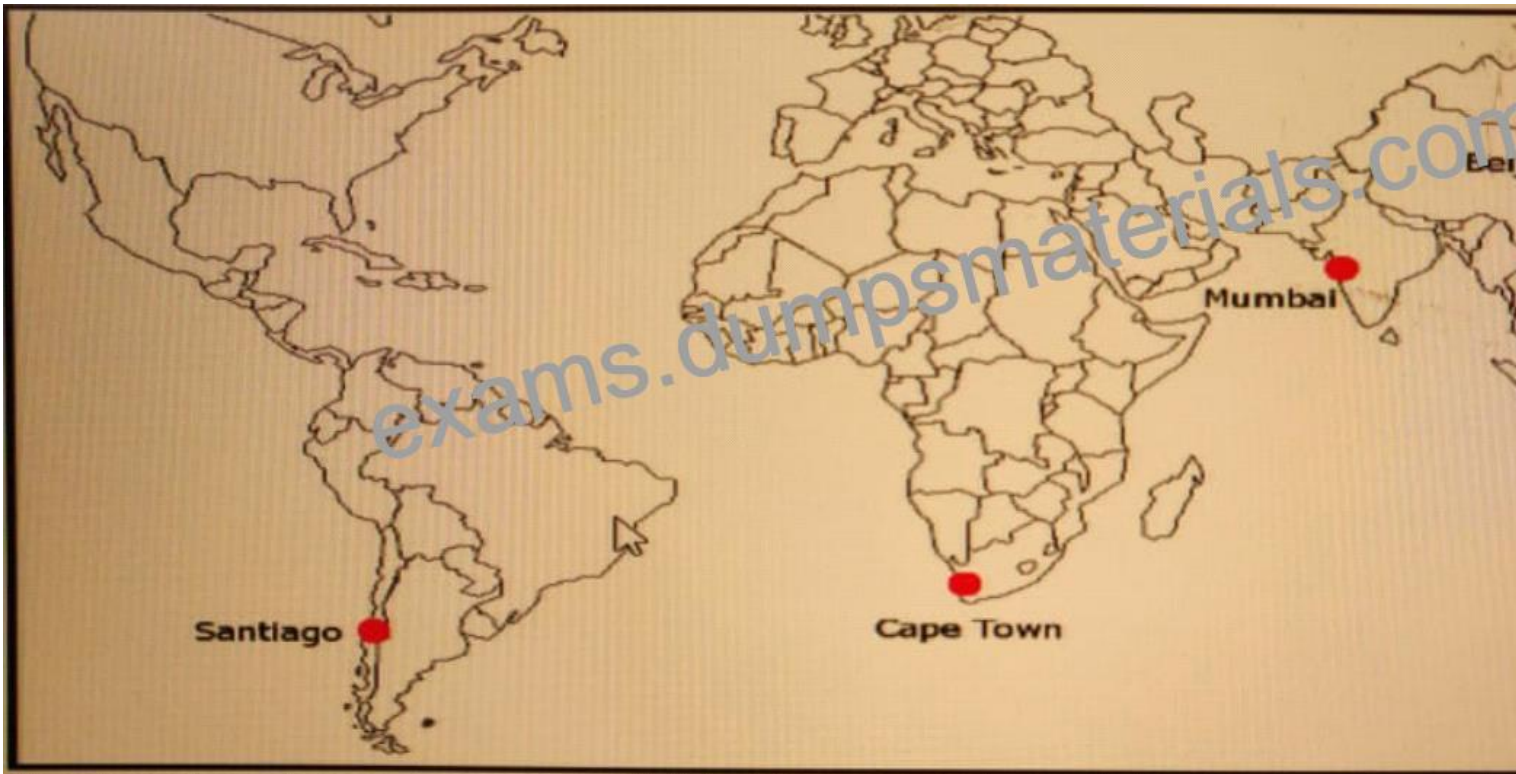
Q108. Refer to the diagram.



Which solution must be used to send traffic from the foreign wireless LAN controller to the anchor wireless LAN controller?

- * Send packets from the foreign controller to the anchor controller via Layer 3 MPLS VPN or VRF-Lite
- * Send packets without encapsulation to the anchor controller over the routed network.
- * Encapsulate packets into an EoIP tunnel and send them to the anchor controller.
- * Send packets from the foreign controller to the anchor controller via IPinIP or IPsec tunnel.

Q109. Refer to the exhibit.



ACME Mining has four data centers in Santiago, Cape Town, Mumbai, and Beijing, full-mesh connected via a 400 Mb/s EVP-LAN. They want to deploy a new mission-critical application with these requirements:

cluster heartbeat 2 Mb/s continuous (250 KB/s)

cluster heartbeat one-way maximum latency 100 ms

These are the current ping test results between the four data centers:

	Santiago	Cape Town	Mumbai	Beijing
Santiago	-	220 ms	378 ms	409 ms
Cape Town	230 ms	-	185 ms	445 ms
Mumbai	383 ms	176 ms	-	443 ms
Beijing	430 ms	448 ms	442 ms	-

Which hosting data center pair can host the new application?

- * Mumbai and Beijing
- * Santiago and Cape Town

- * Santiago and Mumbai
- * Cape Town and Mumbai
- * Cape Town and Beijing
- * Santiago and Beijing

Q110. Which two application requirements are mandatory for traffic to receive proper treatment when placed in the priority queue? (Choose two.)

- * small transactions (HTTP-like behavior)
- * WRED drop treatment
- * tolerance to packet loss
- * intolerance to jitter
- * TCP-based application

Q111. An enterprise requires MPLS connected branches to access cloud-based Microsoft 365 services over an SD-WAN solution. Internet access is available only at dual regional hub sites that are connected to the MPLS network. Which connectivity method provides an optimum access method to the cloud-based services if one ISP suffers loss or latency?

- * Cloud onRamp gateway site
- * Cloud onRamp SWG
- * Cloud onRamp
- * Cloud onRamp SaaS

<https://www.cisco.com/c/en/us/td/docs/routers/sdwan/configuration/cloudonramp/vedge-20-x/cloud-onramp-book-vedge/cor-saas.html#common-scenarios-cor-saas-b>

Q112. You want to mitigate failures that are caused by STP loops that occur before UDLD detects the failure or that are caused by a device that is no longer sending BPDUs. Which mechanism do you use along with UDLD?

- * Root guard
- * BPDU guard
- * Loop guard
- * BPDU filtering

Q113. Various teams in different organizations within an enterprise are preparing low-level design documents to capture network parameters using a Waterfall project model:

- * hardware sizing and power consumption
- * Layer 2 and layer 3 services parameters
- * configuration of all control plane protocols

Input from relevant stakeholders was captured at the start of the project, and the project scope has been defined based on the parameters above. What impact will it have on documentation and project deliverables if the stakeholders ask to have changes carried out in the network before the information has been captured?

- * This provides more opportunity to think outside the box.
- * Rework is expected before the delivery.
- * Significant effort and time are required.
- * This provides a flexible approach to incorporate changes.

Q114. Refer to the exhibit.



ACME Mining has four data centers in Santiago, Cape Town, Mumbai, and Beijing, full-mesh connected via a 400 Mb/s EVP-LAN. They want to deploy a new mission-critical application with these requirements:

- * cluster heartbeat 2 Mb/s continuous (250 KB/s)
- * cluster heartbeat one-way maximum latency 100 ms

These are the current ping tests results between the four data centers:

	Santiago	Cape Town	Mumbai	Beijing
Santiago	-	230 ms	378 ms	409 ms
Cape Town	230 ms	-	185 ms	445 ms
Mumbai	383 ms	176 ms	-	443 ms
Beijing	430 ms	448 ms	442 ms	-

Which hosting data center pair can host the new application?

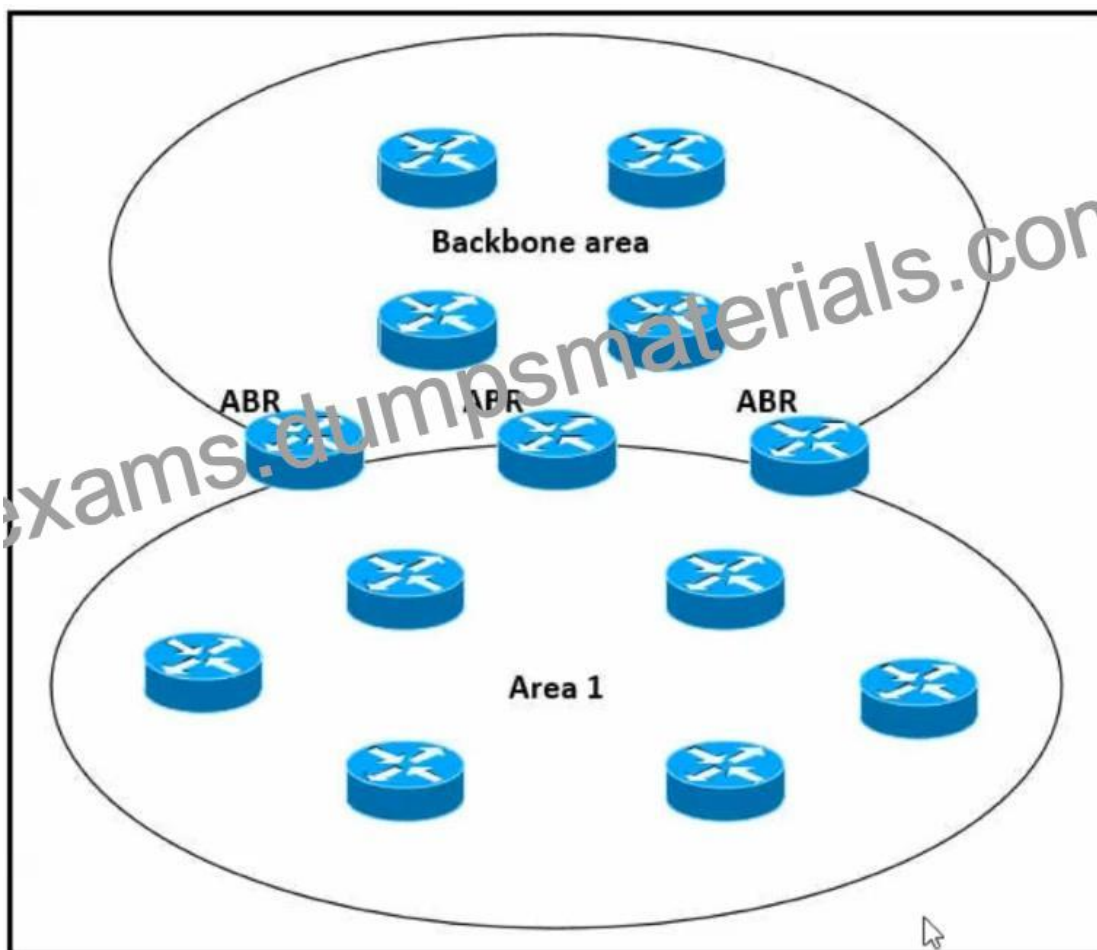
- * Mumbai and Beijing

- * Santiago and Cape Town
- * Santiago and Mumbai
- * Cape Town and Mumbai
- * Cape Town and Beijing
- * Santiago and Beijing

Q115. Company XYZ is running OSPF in their network. They have merged with another company that is running EIGRP as the routing protocol. Company XYZ now needs the two domains to talk to each other with redundancy, while maintaining a loop free environment. The solution must scale when new networks are added into the network in the near future. Which technology can be used to meet these requirements?

- * multipoint route-redistribution with route filtering using ACLs
- * DUMP multipoint route-redistribution with route filtering using route tags
- * DUMPS single point route-redistribution with route filtering using route tags
- * DUMPS single point route-redistribution with route filtering using ACLs

Q116. Refer to the exhibit.



Which impact of using three or more ABRs between the backbone area and area 1 is true?

- * In a large-scale network LSA replication by all ABRs can cause serious scalability issues
- * Multiple ABRs reduce the CPU processing on each ABR due to splitting prefix advertisement
- * In a large-scale network multiple ABRs can create microloops.

* Prefixes from the non-backbone area are advertised by one ABR to the backbone

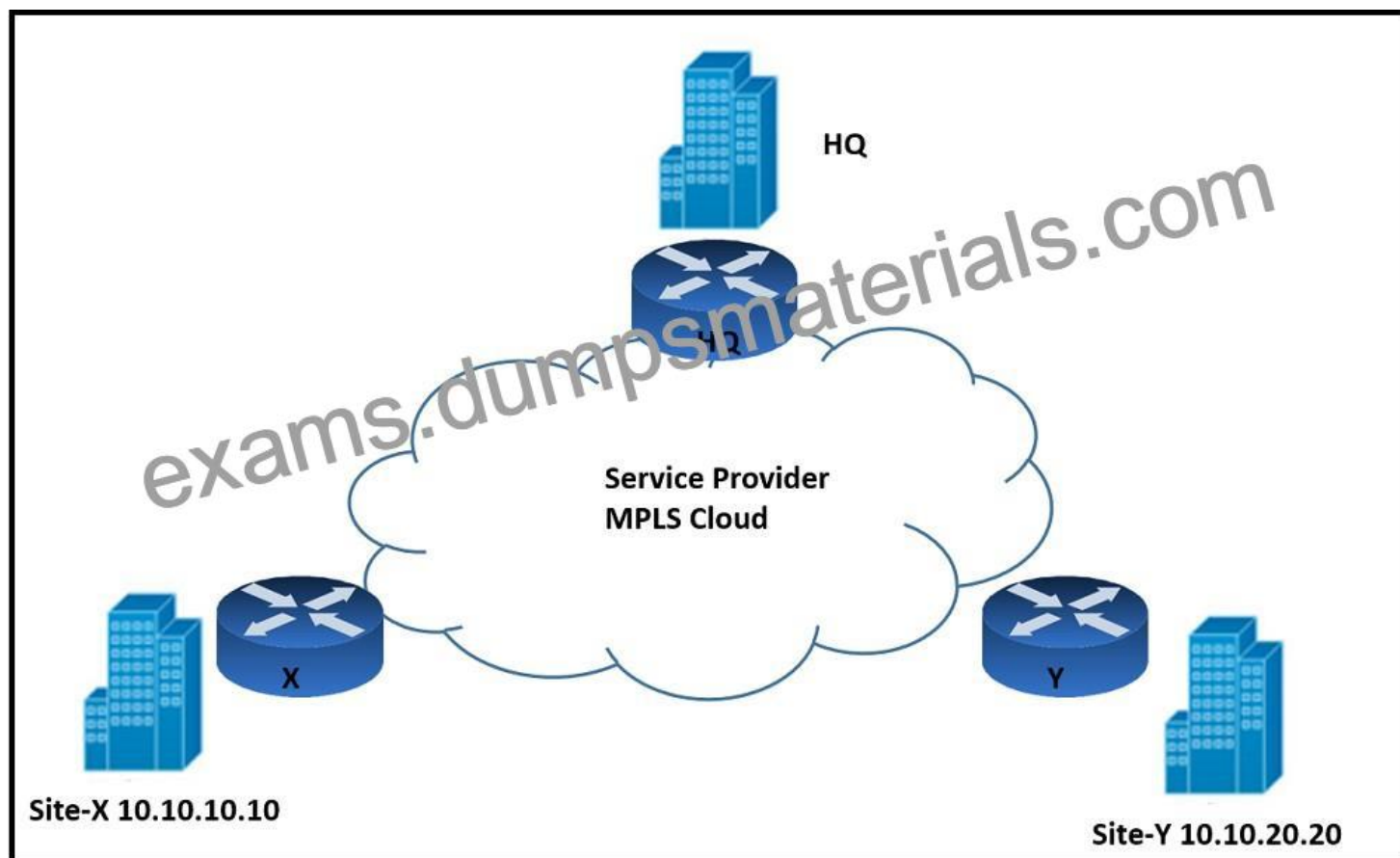
Q117. You are tasked to design a QoS policy for a service provider so they can include it in the design of their MPLS core network. If the design must support an MPLS network with six classes, and CEs will be managed by the service provider, which QoS policy should be recommended?

- * map IP CoS bits into the IP Precedence field
- * map flow-label bits into the Exp field
- * map IP precedence bits into the DSCP field
- * map DSCP bits into the Exp field

Q118. A network security team observes phishing attacks on a user machine from a remote location. The organization has a policy of saving confidential data on two different systems using different types of authentication. What is the next step to control such events after the security team verifies all users in Zero Trust modeling?

- * Enforce risk-based and adaptive access policies.
- * Assess real-time security health of devices.
- * Apply a context-based network access control policy for users.
- * Ensure trustworthiness of devices.

Q119. Refer to the exhibit.



An architect must design an enterprise WAN that connects the headquarters with 22 branch offices. The number of remote sites is expected to triple in the next three years. The final solution must comply with these requirements:

- * Only the loopback address of each of the enterprise CE X and Y routers must be advertised to the interconnecting service provider cloud network.
- * The transport layer must carry the VPNv4 label and VPN payload over the MP-BGP control plane.
- * The transport layer must not be under service provider control.

Which enterprise WAN transport virtualization technique meets the requirements?

- * EIGRP Over the Top
- * MPLS over BGP over multipoint GRE
- * DMVPN per VRF
- * point-to-point GRE per VRF

Q120. An enterprise organization currently provides WAN connectivity to their branch sites using MPLS technology, and the enterprise network team is considering rolling out SD-WAN services for all sites.

With regards to the deployment planning, drag and drop the actions from the left onto the corresponding steps on the right.

Select deployment models between virtual server software and hardware-based SD-WAN appliances.	step 1
Conduct a pilot test to observe and record unexpected issues.	step 2
Make an assessment of running protocols and application usage in the network.	step 3
Evaluate existing circuits and performance to get details of connectivity cost and reliability.	step 4
Layout transport plan based on business prioritizes traffic and the unique bandwidth requirements of each specific application.	step 5
Understand the traffic monitoring requirements and capabilities.	step 6

Select deployment models between virtual server software and hardware-based SD-WAN appliances.	Make an assessment of running protocols and application usage in the network.
Conduct a pilot test to observe and record unexpected issues.	Evaluate existing circuits and performance to get details of connectivity cost and reliability.
Make an assessment of running protocols and application usage in the network.	Select deployment models between virtual server software and hardware-based SD-WAN appliances.
Evaluate existing circuits and performance to get details of connectivity cost and reliability.	Layout transport plan based on business prioritizes traffic and the unique bandwidth requirements of each specific application.
Layout transport plan based on business prioritizes traffic and the unique bandwidth requirements of each specific application.	Understand the traffic monitoring requirements and capabilities.
Understand the traffic monitoring requirements and capabilities.	Conduct a pilot test to observe and record unexpected issues.

Q121. Which two data plane hardening techniques are true? (Choose two)

- * warning banners
- * redundant AAA servers
- * Control Plane Policing
- * SNMPv3
- * infrastructure ACLs
- * disable unused services
- * routing protocol authentication

Q122. As part of workspace digitization, a large enterprise has migrated all their users to Desktop as a Service (DaaS), by hosting the backend system in their on-premises data center. Some of the branches have started to experience disconnections to the DaaS at periodic intervals, however, local users in the data center and head office do not experience this behavior. Which technology can be used to mitigate this issue?

- * tail drop
- * traffic shaping
- * WRED
- * traffic policing

Traffic Shaping does help with congestion and better bandwidth utilization over the WAN.

Q123. What is a web-based model in which a third-party provider hosts applications that are available to customers over the Internet?

- * PaaS
- * SaaS
- * IaaS
- * WaaS

Q124. Company XYZ has implemented policy-based routing in their network. Which potential problem must be kept in mind about network reconvergence and PBR?

- * It can limit network scalability
- * It can create microloops during reconvergence
- * It increases convergence time.
- * It reduces convergence time.

Q125. A customer has a functional requirement that states HR systems within a data center should be segmented from other systems that reside in the same data center and same VLAN. The systems run legacy applications by using hard-coded IP addresses. Which segmentation method is suitable and scalable for the customer?

- * data center perimeter firewalling
- * VACLs on data center switches
- * transparent firewalling
- * routed firewalls

Q126. Company XYZ wants to use the FCAPS ISO standard for network management design. The focus of the design should be to monitor and keep track of any performance issues by continuously collecting and analyzing statistical information to monitor, correct, and optimize any reduced responsiveness across the network. Which layer accomplishes this design requirement?

- * fault management
- * accounting management
- * performance management
- * security management

The Cisco 400-007 exam is necessary to obtain the CCDE certification. It will go live at the beginning of November 2021 and will be part of the new certification path for the CCDE designation.

Exam Questions for 400-007 Updated Versions With Test Engine: <https://www.dumpsmaterials.com/400-007-real-torrent.html>