

## NCSIE ONTAP NS0-184 Dumps Updated Mar 06, 2023 - DumpsMaterials [Q13-Q33]



## NCSIE ONTAP NS0-184 Dumps Updated Mar 06, 2023 - DumpsMaterials [Q13-Q33]

NCSIE ONTAP NS0-184 Dumps | Updated Mar 06, 2023 - DumpsMaterials  
Master 2023 Latest The Questions NCSIE ONTAP and Pass NS0-184 Real Exam!

**NO.13** You have completed a base installation and system registration of an AFF A250 system, but you notice that you have one failed drive. Neither `un-failing`; nor reseating the drive helped to repair it. You must ensure proper replacement of the failed drive.

In this scenario, which two actions should you take? (Choose two.)

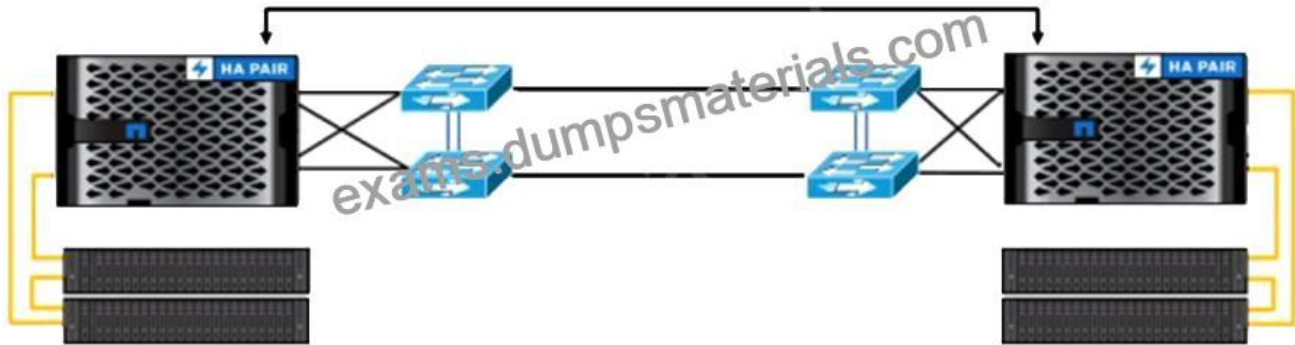
- \* Ask the customer to open a technical case with NetApp Support.
- \* Ask the customer for a drive with the same capacity and replace it.
- \* Run Active IQ Config Advisor to collect all the logs on the system.
- \* Power off the system until the drive has been replaced.

**NO.14** You are preparing to add a 2-node AFF A250 system to an existing 4-node AFF A800 cluster with Cisco Nexus 3232C switches. The cluster switches are currently running the Cluster-HA RCF.

In this scenario, which two steps are required to install the AFF A250 system? (Choose two.)

- \* Load the Storage RCF.
- \* Cable the AFF A250 nodes to the next free ports on the switch.
- \* Cable the AFF A250 nodes to the breakout ports on the switch.
- \* Load the Cluster-HA-Breakout RCF.

**NO.15** Click the Exhibit button.



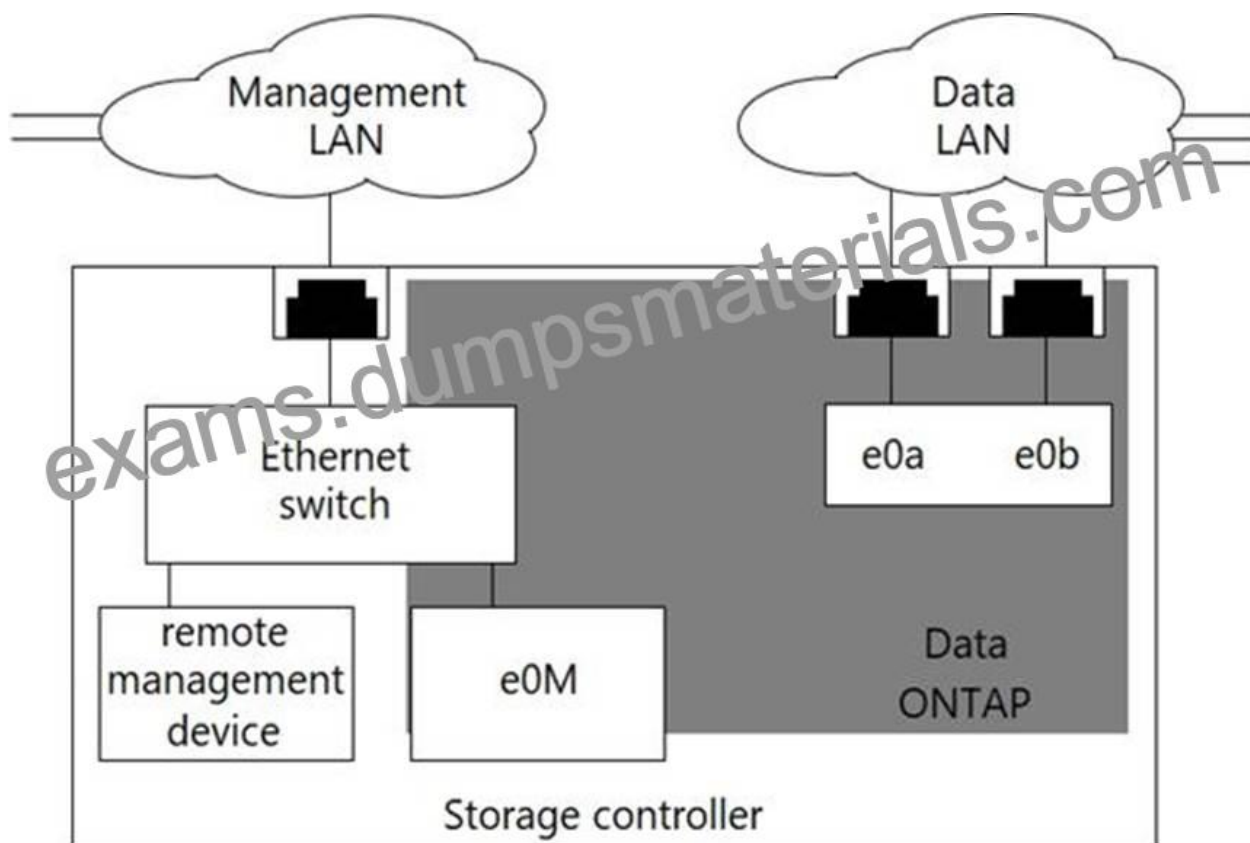
What are two functions of the four Ethernet switches in the supported configuration that is shown in the exhibit? (Choose two.)

- \* to provide a direct connection for the SnapMirror Synchronous (SM-S)
- \* to install cross-site cluster management switches
- \* to provide connectivity for NVRAM over iWARP
- \* to enable SyncMirror replication

**NO.16** On which type of network interfaces are the cluster interconnect LIFs created?

- \* on an FC or FCoE port
- \* on an interface group
- \* on a UTA port shared with other LIFs
- \* on a physical port

**NO.17** Click the Exhibit button.



You are installing a new FAS cluster. The management network must be on tagged VLAN 11 for remote administration by a service provider.

Referring to the exhibit, which two ports will allow service provider access to both cluster and node management LIFs? (Choose two.)

- \* e0M
- \* e0b-11
- \* e0a-11
- \* e0M-11

**NO.18** You are installing an AFF A700 system with two disk shelves using ADPv2. After setting up the cluster, you realize that one drive shelf was powered off and that the drives have not been assigned to any of the nodes.

In this scenario, which two resources will help you find a solution? (Choose two.)

- \* Active IQ Config Advisor
- \* NetApp Documentation Center
- \* NetApp Knowledge Base
- \* Active IQ Digital Advisor

**NO.19** An ONTAP cluster is installed at a secure site. The array has no access to the Internet but is managed 24/7 by onsite engineers. The customer requires that when hardware failures occur, the failures are reported to the NetApp Support team as quickly as possible.

In this scenario, which two tasks should be performed during the project hand-off procedure to satisfy the customer's requirements?

requirement? (Choose two.)

- \* Ensure that Active IQ Config Advisor is installed.
- \* Ensure that the onsite engineers receive EMS alerts when hardware issues occur.
- \* Educate the onsite engineers about invoking the AutoSupport tool from ONTAP System Manager.
- \* Educate the onsite engineer about how to manually log support calls.

**NO.20** You are setting up a peer relationship between two ONTAP clusters.

In this scenario, which two statements are true regarding authentication?

- \* Peering authentication status can be verified with the cluster peer show command.
- \* Peering authentication can be configured using LDAP users and groups.
- \* Peering authentication is required before enabling peering encryption.
- \* Peering authentication can use an ONTAP generated passphrase.

**NO.21** After adding two nodes to an FC-enabled cluster, the storage administrator wants to ensure that existing LUNs can use paths on the new nodes.

What is required to complete this task?

- \* Use the storage port rescan command.
- \* Use the lun mapping add-reporting-nodes command.
- \* Use the lun bind create command.
- \* Rescan the bus on the hosts by using the rescan-scsi-bus.sh script.

**NO.22** You are a NetApp Professional Services engineer, employed by NetApp. You have just completed an ONTAP cluster installation. You need to collect the relevant configuration information to enable the Service Event Report (SER) to be created.

Which tool would you use to accomplish this task?

- \* Active IQ scheduled reports
- \* NetAppDocs output report
- \* ONTAP System Manager
- \* Active IQ Config Advisor worksheet

**NO.23** You are installing a new AFF A400 cluster for a customer. The customer indicates that they want to take advantage of AutoSupport On Demand.

In this scenario, which AutoSupport transport protocol must you use?

- \* HTTP
- \* SMTP
- \* FTP
- \* HTTPS

**NO.24** Your customer is migrating data from a legacy FAS8020 system that runs ONTAP 9.5 software to a new AFF A250 MetroCluster over IP configuration.

In this scenario, which two methods would be supported to migrate the data? (Choose two.)

- \* Perform a controller swap from the FAS8020 to the AFF A250s.
- \* Create a 4-node cluster on one side and use the vol move command to migrate the data.
- \* Use a host-based copy migration method.
- \* Configure a SnapMirror copy between the FAS8020 and the AFF A250 systems.

**NO.25** You are installing a new AFF A400 cluster and need to access the cluster management LIF from a remote subnet with the fully qualified domain name (FQDN) a400.lab.netapp.com.

In this scenario, which two network components must be configured to log in to ONTAP System Manager from the remote subnet? (Choose two.)

- \* route
- \* NTP
- \* DNS
- \* VLAN

**NO.26** Click the Exhibit button.

```
cluster1::> network device-discovery show
```

Node/ Protocol	Local Port	Discovered Device	Interface	Platform
node1/cdp	e4a	switchA-NX.netapp.com (SSI142311PD)	e1/1/1-4	N3K-C3132Q-V
	e8a	switchA-NX.netapp.com (SSI142311PD)	e1/2/1-4	N3K-C3132Q-V
node2/cdp	e4a	switchB-NX.netapp.com (SSI142311PE)	e1/1/1-4	N3K-C3132Q-V
	e8a	switchB-NX.netapp.com (SSI142311PE)	e1/2/1-4	N3K-C3132Q-V

You are reviewing the setup of a recently installed FAS9000 switched cluster. As shown in the exhibit, the cluster interconnects are connected to a pair of Cisco Nexus 3132Q-V 40 Gb ports.

For a high availability, which ports should swap Ethernet cables?

- \* Swap node1:e8a and node2:e4a.
- \* Swap node1:e4a and node1:e8a.
- \* Swap node2:e4a and node2:e8a.
- \* Swap node1:e4a and node2:e4b.

**NO.27** You are installing a new ONTAP 9.7 cluster and attaching the cluster to two separate networks. Your customer has indicated that the same range of client IP addresses are used on both networks and that the networks are never allowed to communicate with each other.

In this scenario, which ONTAP feature must be configured to securely allow all clients to access ONTAP NAS protocols?

- \* BGP
- \* broadcast domains
- \* routing
- \* IPspaces

**NO.28** Click the Exhibit button.

```
Mar 18, 2020 07:35:35 CDT HA Group Notification (CLUSTER NETWORK DEGRADED) ALERT
Mar 19, 2020 22:04:20 CDT HA Group Notification (Health Monitor process cshm:
SwitchIfInErrorsWarn_Alert[NODE_NAME=sw1 (SWITCH_SERIAL_NUMBER)/Ethernet1/8]) ALERT
Mar 12, 2020 20:58:38 CDT HA Group Notification (Health Monitor process cshm:
SwitchIfInErrorsWarn_Alert[NODE_NAME=sw1 (SWITCH_SERIAL_NUMBER)/Ethernet1/8]) ALERT
```

Your ONTAP cluster shows the cluster network errors that are shown in the event log.

What is used by ONTAP software to log the errors that are shown in the exhibit?

- \* SNMP
- \* AutoSupport
- \* BGP
- \* EMS

**NO.29** What are two ONTAP storage efficiency technologies that would be used on an AFF A400 cluster? (Choose two.)

- \* Flash Pool
- \* thin provisioning
- \* FlashCache
- \* FlexClone volumes

**NO.30** You have just finished installing and configuring an ONTAP cluster for a customer.

In this scenario, which product collects information and produces site documentation?

- \* NetAppDocs
- \* Inventory Collect Tool
- \* SnapGathers
- \* Active IQ OneCollect

**NO.31** You want to enable secure communication with the SP or BMC through CA-signed certificates.

Which two certificate types must be installed in this scenario? (Choose two.)

- \* cluster certificate
- \* server certificate
- \* root CA certificate
- \* ONTAP certificate

**NO.32** Click the Exhibit button.

```
ns0184-98::> cluster add-node-status
```

Node Name	Cluster IP	Status	Error Reason
ns0184-98-01	169.254.111.185	success	
ns0184-98-02	169.254.124.154	success	
ns0184-97	168.254.242.195	failure	failed to start cluster join on node: 169.254.242.195: Cluster join operation cannot be performed at this time: Cannot join node to the cluster because this is a mixed-version cluster. All nodes in the cluster should be running the same software version before a node is added. To attempt the join anyway, use the "-allow-mixed-version-join" parameter. Resolve the issue, then try the command again.

3 entries were displayed.

You are attempting to add a new ONTAP 9.7 node to your ONTAP 9.8 NetApp cluster. After attempting to add the node, it fails as shown in the exhibit.

What are two nondisruptive ways to add the new node to your ONTAP cluster? (Choose two.)

- \* Revert the cluster from ONTAP 9.8 to ONTAP 9.7.
- \* Re-initialize all the nodes in the ONTAP cluster with ONTAP 9.7.
- \* Upgrade the new node from ONTAP 9.7 to ONTAP 9.8.
- \* Add the node using the -allow-mixed-version- parameter.

**NO.33** You need to install a cluster with a FAS2720 HA pair and a FAS8300 HA pair.

Which NetApp tool will verify which cluster interconnect switches support this configuration?

- \* Active IQ Config Advisor
- \* Interoperability Matrix Tool (IMT)
- \* Hardware Universe (HWU)
- \* mysupport.netapp.com site

## A quick overview of the difficulties you can face, while writing the Network Appliance NS0-184 Certification Exam

Although the Network Appliance NS0-184 Certification Exam is the most preferred certification in the market, there are certain difficulties that a candidate can face while taking the NS0-184 Exam. Some of the difficulties that you can face while writing the NS0-184 Exam are given here. Simplified time management is one of the most important difficulties that you can face while writing the Network Appliance NS0-184 Certification Exam. You can easily find yourself in a situation where you have to deal with multiple tasks and time constraints, as the pass rate is not high. The NS0-184 Exam is quite time-consuming, and you need to be well-prepared to deal with such situations. You should have enough time to prepare for the Network Appliance NS0-184 Certification Exam. **NS0-184 Dumps** will help you to deal with the difficulties and manage your time efficiently.

Another difficulty that you can face while writing the Network Appliance NS0-184 Certification Exam is related to the Network Appliance NS0-184 Certification Exam content. To demonstrate the quality of your expertise, you need to know the details of the NS0-184 Certification Exam content. Most of the candidates are not aware of the syllabus and resources that are used for the preparation of the Network Appliance NS0-184 Certification Exam. As a result, you will not be able to prepare yourself adequately for the Network Appliance NS0-184 Certification Exam. Connectivity options are also one of the most important difficulties that you can face while writing the Network Appliance NS0-184 Certification Exam.

Click on the link below to get more info

Official link to the NS0-184 Exam

## How the Network Appliance NS0-184 Certification Exam can help?

In this modern world, technology is rapidly developing and becoming more sophisticated. This is making the job of IT professionals more difficult and challenging. They have to keep themselves updated with the latest trends and technologies in the field of the information technology and digital world. From an employee's perspective, they have to keep themselves updated with the latest trends and technologies to get promoted in their organization. If you want to succeed in your career, then you should start preparing for the Network Appliance NS0-184 exam. **NS0-184 Dumps** are the best choice for you if you want to become a certified NetApp technician.

The Network Appliance NS0-184 certification exam will help you to achieve your goals and be successful in your career. The namespace configured by the Network Appliance NS0-184 exam will help you to secure your future and succeed in your career. From an employer or organization's perspective, they want to hire qualified IT professionals who can provide quality solutions to their customers. The Network Appliance NS0-184 certification exam is a great option for them to hire IT professionals who can help them to achieve their business goals. The Network Appliance NS0-184 examines the understanding of NetApp products and how to use them. This is the reason why it is considered the best certification exam for IT professionals and can help them to succeed in their careers. The cluster peering feature is a very useful feature that can help you to scale up your storage.

**A fully updated 2023 NS0-184 Exam Dumps exam guide from training expert DumpsMaterials:**

<https://www.dumpsmaterials.com/NS0-184-real-torrent.html>